



OIL PALM INDIA LIMITED

(A JOINT VENTURE OF THE GOVT. OF KERALA AND THE GOVT. OF INDIA)

REGD. OFFICE: XIV/130, KOTIAYAM SOUTH P.O, KODIMATHA, KOTTAYAM - 686 013, KERALA PHONE: 2567103, 2567104, 2566882 FAX: 0481-2561442
GST IN: 32AAAC03695G1ZI, CIN: U01133KL1977SGC002934 Web: www.oilpalmindia.com

OP/SME/POM/2026-27/187

24.04.2026

RE-TENDER INVITATION

Sub: **Requirement of Spares for ETP Circulation Pump [Make Sulzer]**

We invite you to submit your quotation for the following items (for Palm Oil Mill, Yeroor Estate, Bhartheepuram P. O, Anchal, Kollam Dist., Kerala-691330) by email in PDF format (indicating our Tender Notice number and due date) to tendersopil@gmail.com on or before the due date on 30.04.2026 up to 02:30 PM and bids shall be opened on same day 03.00 PM.

The items are required of the following details and specifications:

Spares For Sulzer Pump					
Model: CC40x32-160					
Sr.No: 27878, QM: 10, H: 20, RPM 2800					
Sl. No	Name	Part No	Material	Unit	Qty
1	Shaft	501	ASTM A276 TYPE 316	Nos	1
2	Impeller Key	510	ASTM A276 TYPE 316	Nos	1
3	Impeller Nut	512	ASTM A743 GR CF-8M	Nos	1
4	Impeller	109	ASTM A743 GR CF-8M	Nos	1
5	Shaft Sleeve	208	ASTM A276 TYPE 316	Nos	1
6	Lantern Ring	215	ASTM A743 GR CF-8M	Nos	1

Authorized dealership certificate from OEM(M/s Sulzer India Pvt.Limited) to provided along with quotation.

Place of Delivery: At our Palm Oil Mill, Yeroor Estate, Bhartheepuram P. O, Kollam Dist., Kerala-691330.

Terms of Payment: Within 15 days after receipt subject to acceptance.

Delivery required in case of placement of an Order based on this enquiry: 12 Days.

Your offer should be specific with following break up

1. Basis of Price.
2. Basic Price.
3. GST.
4. Discount Offered %.
5. Other charges % (Like P&F, Freight etc).
6. Delivery Time.

For Oil Palm India Limited

Sd/-

Sr.Manager(Engineering)

GENERAL CONDITIONS OF THE TENDER

1. Price:

The price should be quoted item wise including GST amount. In case the packing and forwarding charges are involved the same should be shown separately. If no extra charges are mentioned, the quoted rate it will be treated as all-inclusive of GST, Packing and Forwarding, Transportation and other charges of delivery at destination (OPIL). The rates quoted should be shown in both numerical and word form.

2. Cess & GST:

- a) Taxes should be shown separately, wherever applicable
- b) Rates of taxes should be clearly indicated
- c) Cess payable should be indicated separately
- d) Other taxes if any should also be separately indicated

Notes:

If duty/cess and taxes are not shown specifically, it will be assumed that the rates quoted are inclusive of the same for all purpose. However, in the event of an order arising out of the offer, breakup of taxes and duties (which all mentioned while quoting) be shown separately in the invoice.

3. Basis of price:

The price should be quoted indicating either F.O.R dispatching station or F.O.R destination basis. If the rates are quoted not specifying the basis of rate, the rates will be treated as F.O.R destination.

4. Validity of offer:

The rates quoted should be valid for a minimum period of 30 days from the due date.

5. Delivery period:

A firm delivery date/period should be indicated. Delivery period reckoned shall be treated from the date of release of purchase order. Delivery should be on F.O.R OPIL Basis.

6. Firm Price:

In the event of order price shall be firm till complete execution of the order.

7. Payment terms:

Our payment term is within 15days after receipts subject to acceptance of materials. Offers with other payment terms is liable to the rejected/cost loaded.

8. Correction and errors:

Quotation should be free of corrections and errors.

9. Technical details of offer:

Manufacturer's name, country of origin and brand/make of the material/materials offered must be clearly specified. Complete / detailed illustrated literature must accompany all quotations.

10. Penalty for delay:

Penalty shall be imposed in the form of Liquidated damages at the rate of 0.5% per week or part thereof of the value of the goods for the delayed period beyond the stipulated delivery date in the order duly accepted by vendor. This recovery will be limited to 10% of value of goods without prejudice to the purchaser's other rights.

11. Rights of acceptance or rejection of tenders:

OPIL does not bind itself to accept the lowest or any tenders or assign any reason for non-acceptance. It further reserves the right to accept any tenders wholly or in part at its option. It also reserves the right to take 25% more/less of material on any orders placed against this enquiry.

12. Acceptance of full/part quantity:

Tenders should clearly have mentioned whether the prices hold good when full quantity of enquiry is not ordered but only a part of it. Unless otherwise mentioned, it would be assumed that the rates hold good even for lesser quantities.

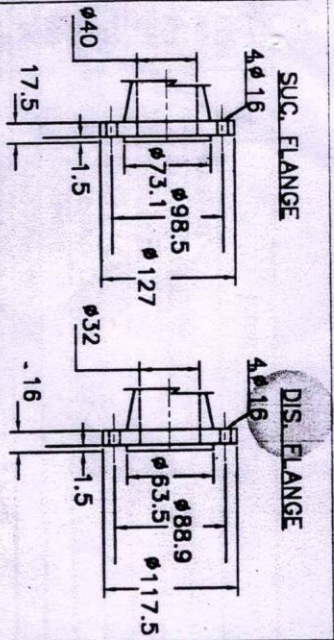
13. Submission of offers:

The offers should be submitted by email in PDF format indicating our inquiry number and due date to tendersopil@gmail.com on or before the due date.

For Oil Palm India Limited

Sd/-

Sr. Manager(Engineering)



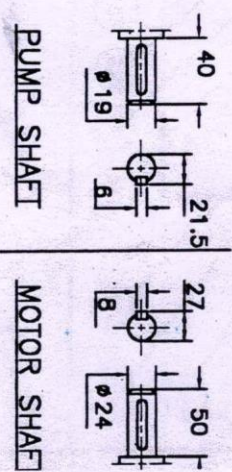
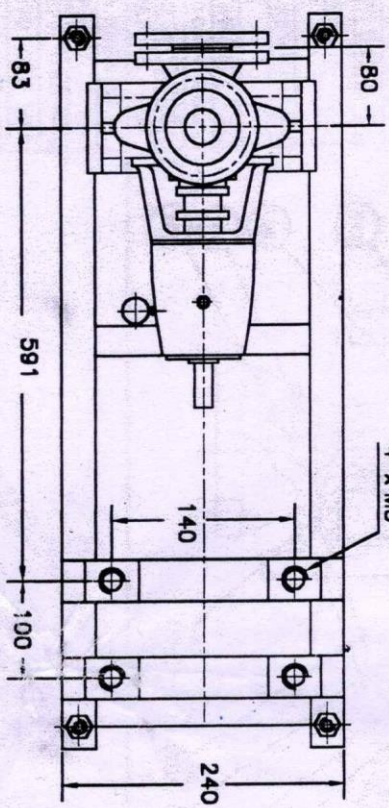
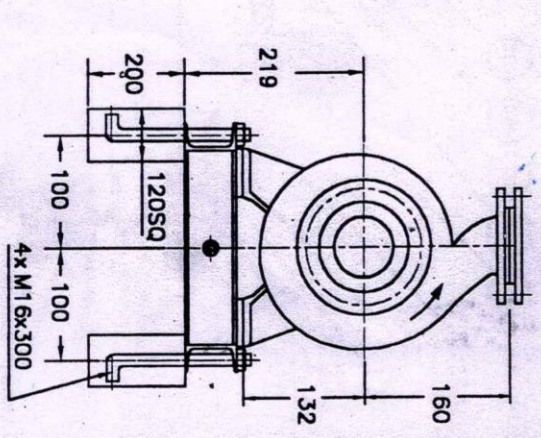
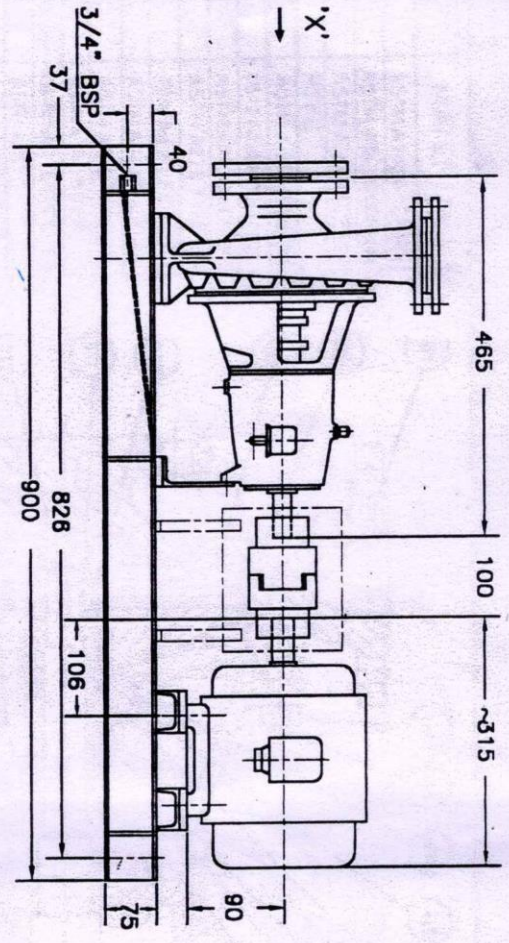
OPERATING DATA		APPROX. WT. IN KG.
TEMPERATURE (°C)	70	BARE PUMP
FLOW RATE (m ³ /h)	10	BASE PLATE
DIFF. HEAD (mic)	20	COUPLING
EFFICIENCY %	45	MOTOR
POWER (kw)	1.16	TOTAL

LIQUID: WATER + SLUDGE		DETAILS/DRG.No.	* SCOPE
ACCESSORIES	KEC		
MOTOR MAKE	1.5/2800		
kw/rpm	KH90S		
FRAME	TEFC		
TYPE			
MOUNTING			
FLUSHING			
QUENCHING			
COOLING			
HEATING			
COUPLING			
COUPLING GUARD			
BASEPLATE & FND.BOLTS			
MOTOR BOLTS			
COMP.FLANGES: SUC/DIS			

* SCOPE OF SUPPLY: KHIMLINE CUSTOMER

NOTES: 1) PUMP CROSS SECTION REF. DRG. No.:CS4302503

Approved



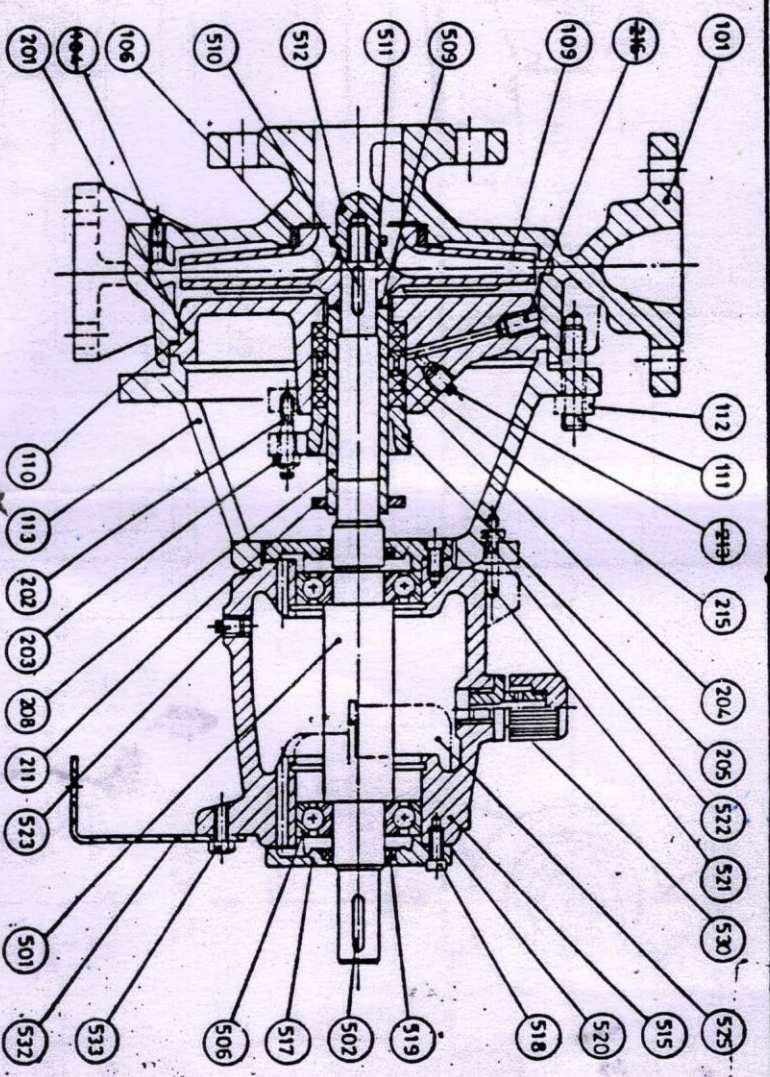
IF IN DOUBT ASK. ALL DIMENSIONS ARE IN mm UNLESS OTHERWISE SPECIFIED.

DRN	R.S.K.	08.07.98	CUSTOMER	: OIL PALM INDIA LTD.
CHKD	<i>RKR</i>	<i>13/11/98</i>	CONSULTANT	: -
APRD			ORDER No.	: LOI NO. MM .04.09 4800
			ITEM No.	: ETP RECIRCULATION PUMP
			PROJECT	: PALM OIL MILL
			SERVICE	: -
			W.O.	: 9843025
			DRG.No.	: GA 4302503
			CC 40X32-160	GENERAL ARRANGEMENT
			Khimline pumps Ltd. ISO	

DATE : 11.03.98

QUANTITY : 02

PART No.	QTY.	DESCRIPTION	MATERIAL
101	1	CASING	ASTM A743Gr.CF-8M
106	1	CASING WEAR RING	ASTM A743Gr.CF-8M
109	1	IMPELLER	ASTMA743Gr.CF-8M
110	1	GASKET CASING	PTFE
111/112	1	STUD,NUT CASING TO ADAPTER	ASTM A 276 TYPE 316
113	1	ADAPTER	IS: 210 Gr. FG: 200
201	1	STUFFING BOX COVER	ASTMA743Gr.CF-8M
202/203	2	STUD,NUT ST. BOX COVER TO GLAND	ASTM A276 TYPE 316
204	1 SET	PACKING RINGS	PTFE
205	1	GLAND	ASTMA743Gr.CF-8M
208	1	SHAFT SLEEVE	ASTMA276TYPE316
211	1	DEFLECTOR	BUNA RUBBER
212	2	PLUG-SCREW EXTERNAL FLUSHING (1/4" NPT)	ASTMA276PIPE-316
215	1	LANTERN RING V	ASTM A743Gr.CF-8M
216	1	GRUB-SCREW ST. BOX SELF FLUSHING	ASTMA276TYPE-316
501	1	SHAFT	ASTM A276TYPE-316
502	1	SHAFT KEY COUPLING SIDE	BS 970 080 M40
506	2	DEEP GROOVE BALL BEARING No 6305 (SKF)	STEEL
509	1	GASKET, SHAFT SLEEVE	PTFE
510	1	IMPELLER KEY	ASTM A276TYPE-316
511	1	GASKET, IMPELLER NUT	PTFE
512	1	IMPELLER NUT	ASTM A743Gr.CF-8M
515	1	BEARING HOUSING	IS: 210 Gr. FG: 200
517	2	BEARING COVER	IS: 210 Gr. FG: 200
518	2	SCREW BEARING COVER TO BEARING HSG.	IS: 1367 CL. 8-8
519	2	OIL SEAL	BUNA RUBBER
520	2	GASKET, BEARING COVER	OIL PAPER
521/522	4	STUD,NUT BEARING HSG. TO ADAPTER	BS 970 080 M40
523	1	DRAIN PLUG FOR BEARING HSG.	BS 970 080 M40
525	1	CONSTANT LEVEL OILER	PLEXI-GLASS + AI
530	1	BREATHER	PLASTIC
532	1	SUPPORT FOOT	STEEL IS: 2062
533	1	HEX. SCREW SUPPORT FOOT TO BEARING HSG.	IS 1367 CL. 8-8
806	1	GASING-DRAIN-PLUG-STEEL-1/4" NPT	ASTM A276TYPE-316
806	1	FLEXIBLE COUPLING *	CI
544	1	COUPLING GUARD	STEEL IS: 2062
124	1	BASE PLATE	STEEL BS: 2062
	1/1	COMPANION FLANGE SUC./DIS.	A182 F 316
	4/4	HEX. SCREW- NUT, COMP. FLANGE SUC./DIS.	CL. 8-8 - CL. 8
	1 1	GASKET, COMP FLANGE SUC./DIS	CAF-40



*Approved with ETP
 & approved with ETP
 & approved with ETP*

* ETP RECIRCULATION PUMP

AUXILIARY REQUIREMENT
 1) SEALING : GLAND PACKING
 2) FLUSHING : SELF EXTERNAL

REV.		WO: 9843025	ITEM No: *	DRG No: CS 4302503
DRAWN	R.S.K. 13/798	CC 40 X 32 - 160	PUMP CROSS SECTION	
CHECKED	RLR		Schindler pumps Ltd.	
APRD.	RTF			

* LOVEJOY: RRL 095
 OR
 UTKARSH : USS 95